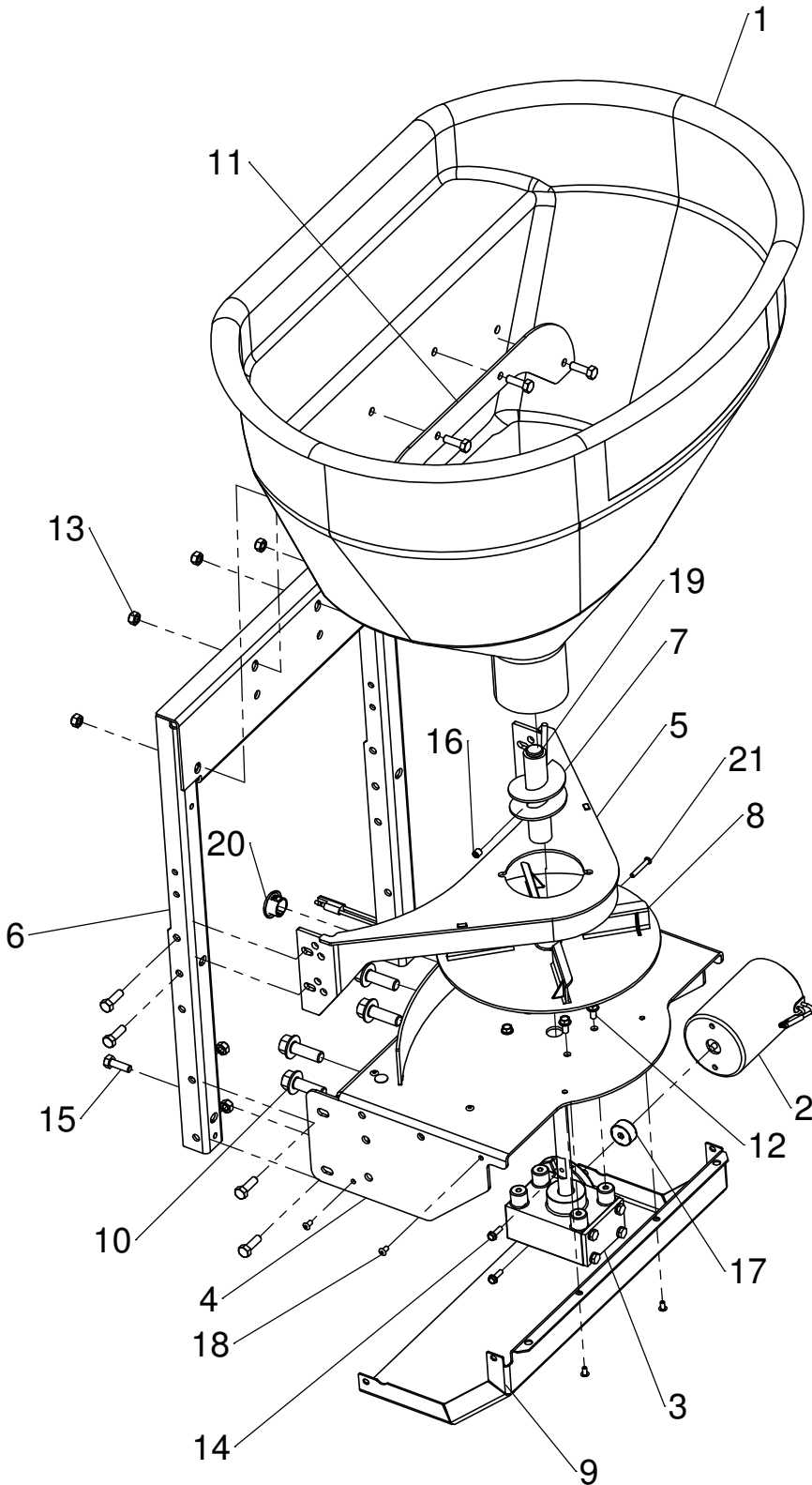
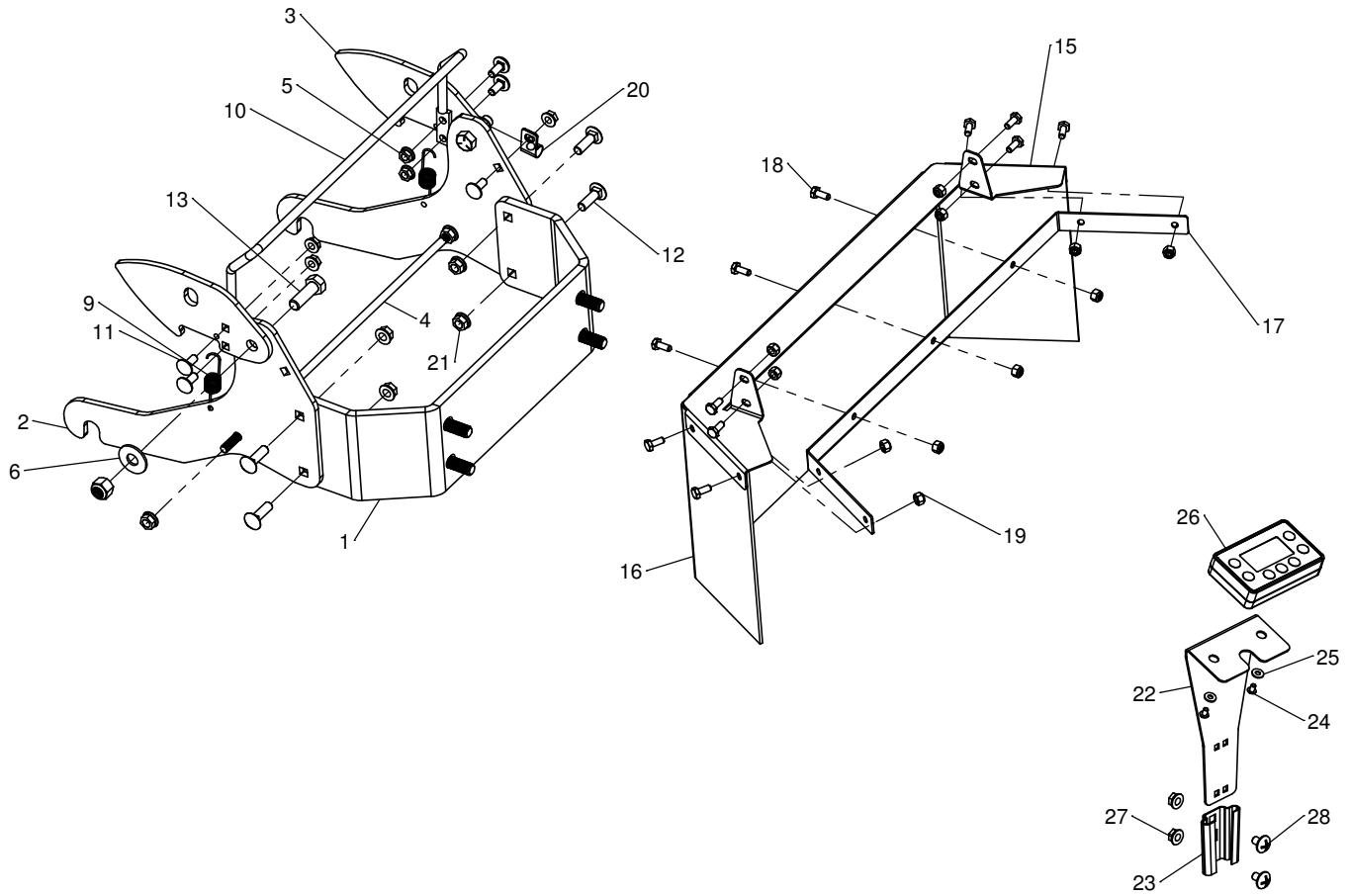


LP67403 X700 Salt Spreader



ITEM	PART #	DESCRIPTION	QTY.
1	ST50315	Hopper, 225	1
2	ST50315	Motor 12VDC	1
3	ST50316	Transmission, 145:Worm Gear	1
4	ST50672	Trans Mount Weldment, Utility, New	1
5	ST50673	Hopper Support Plate, Utility, New	1
6	ST50674	Hopper Support Frame	1
7	ST50320	Auger, 2.5"x5.75"x1"	1
8	ST50321	Spinner, 10" Poly	1
9	ST50677	Spinner Drive Cover	1
10	ST65183	Bolt, 1/2"-13 X 1 1/2" Serrated Flange S.S.	4
11	ST50676	Hopper Mount Backing Plate	1
12	ST65096	Bolt 1/4"-20 X 1/2" Serrated Flange SS	4
13	ST65097	Nut 5/16"-18 Nylock S.S.	12
14	ST65098	Bolt, #10-32 X 5/8" S.F. S.S. W/Patch	2
15	ST65111	Bolt, 5/16"-18 X 1" Hex Head S.S.	12
16	ST50323	Set Screw, 5/16"-18 X 3/8" Socket	1
17	ST50324	Motor Drive Coupler	1
18	ST50325	Rivet, 3/16" X .354 Aluminum	6
19	ST50326	Auger Cap	1
20	ST50327	Grommet	1
21	ST50675	Clevis pin 3/16 x 1.25	1

LP67403 X700 Salt Spreader



ITEM	PART #	DESCRIPTION	QTY.
1	ST50544	Hitch Bracket	1
2	ST50545	Hitch Arm	2
3	ST50461	Upper Latch Arm	2
4	ST43397	3/8"x18.5" Rod	1
5	ST65124	Nut, 5/16" Flange S.S.	5
6	ST65077	1/2" Washer	2
8	ST65048	1/2" Nyloc Lock Nut	2
9	ST50469	Extension Spring	2
10	ST50460	Release Bar	1
11	ST65122	Bolt, 5/16" x 3/4" Carriage S.S.	5
12	ST65135	3/8 x 1.25 Carriage Bolt	4
13	ST65094	1/2" x 1 1/2" Hex Bolt	2
15	ST50666	Shield Frame	1
16	ST50667	Fabric Shield	1
17	ST50668	Support Band	1
18	ST65120	Bolt, 1/4"-20 x 5/8" Hex S.S.	11
19	ST65115	1/4"-20 S.S. Nylon Lock Nut	11
20	ST50468	Clamp, 1/2"ID Coated	1
21	ST65126	Nut, 3/8" Flange S.S.	8

ITEM	PART #	DESCRIPTION	QTY.
22	ST50960	Display Bracket	1
23	ST48296	Bracket Receiver	1
24	ST65275	M5x8 Button-Head Screw	2
25	ST65260	M5 Flat Washer	2
26	ST48613	User Interface	1
27	ST65008	5/16 Flange Nut	2
28	ST65031	5/16 x 1/2 Truss Head Bolt	2
-	ST50941	Power Harness	1
-	ST50974	Display Cable	1
-	ST50973	Spreader Harness	1